

Operating features

Технические примечания

Control

Internal leakage A(B) → T
 (p=120 bar, Viscosity=32 mm²/s : max 40 ccm/min)
 Fluid temperature - -20°C(short time) ... 80°C
 Max. back pressure on outlet port T - 25 bar (360psi)

Coil

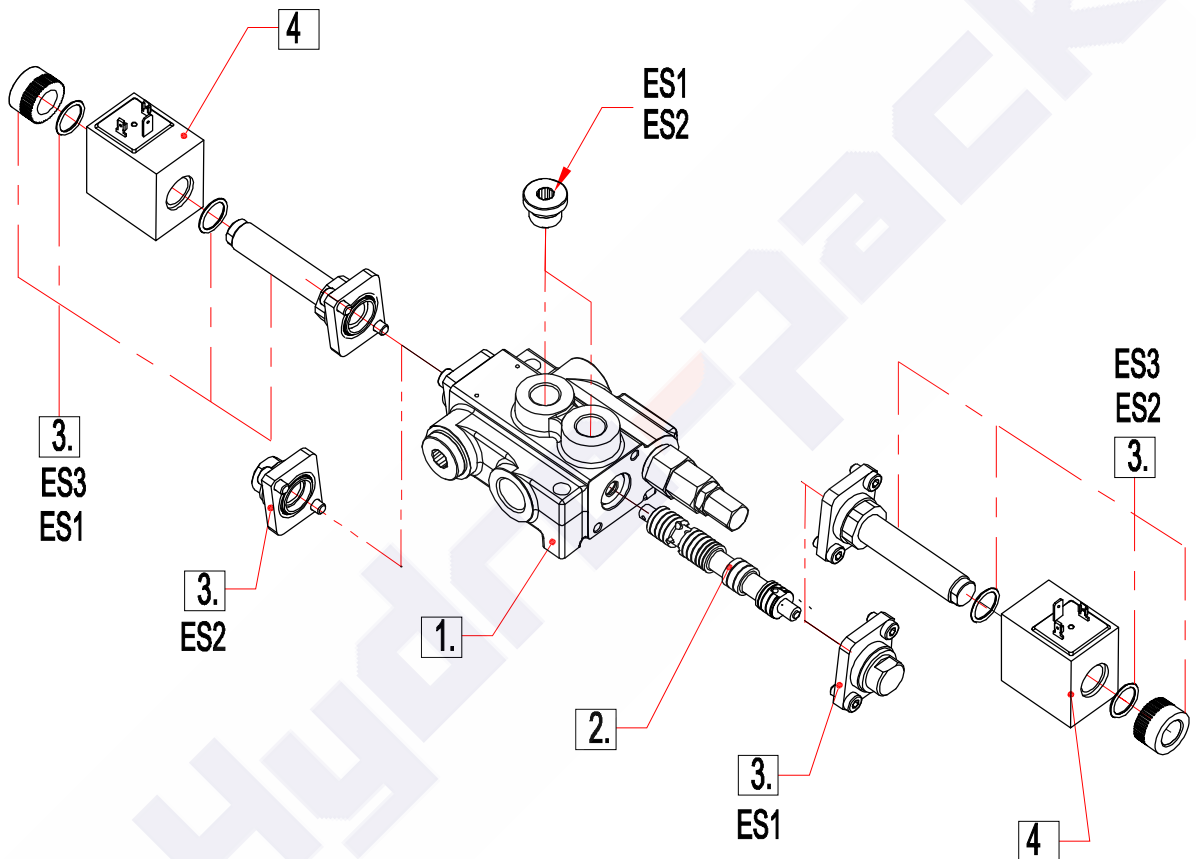
Nominal voltage tolerance ±10%
 Power rating 37 W
 Coil insulation class H
 Duty cycle 100%
 Connector ISO 4400
 Emergency manual override

| pos. | Part.No | Description | Quantity |
|------|---------------|-------------------|----------|
| 10 | | Ball 14.28 | 1 |
| 9 | 123.00.47 | Spring | 1 |
| 8 | 79.04.00 | Relief valve | 1 |
| 7b | C35D012RC P01 | Solenoid coil | 2 |
| 7a | GM4060/BD | Solenoid Tube | 2 |
| 6 | 542.02.00.07 | Additional spring | 2 |
| 5 | 511.02.02.00 | Intermediate unit | 2 |
| 4 | 542.02.00.04 | Spring | 2 |
| 3 | 511.02.00.02 | Washer | 2 |
| 2 | | Spool ... | 1 |
| 1 | | Body ... | 1 |

Solenoid direct control with spring return to neutral position.
Needs special spools and special body Z80.

ORDERING EXAMPLE

| | | | | |
|-----|---|-----|-------|---|
| Z80 | A | ES3 | 12VDC | G |
| 1 | 2 | 3 | 4 | 5 |



1. Body kit

| Type | Description |
|-------|-------------|
| 01Z80 | 1 spool |
| 02Z80 | 2 spool |
| 03Z80 | 3 spool |
| 04Z80 | 4 spool |
| 05Z80 | 5 spool |
| 06Z80 | 6 spool |

2. Spool options

| Type | Description |
|------|--|
| A | Double acting, 3 positions with A and B closed in neutral position |
| D | Double acting, 3 positions with A and B open to Tank in neutral position |

3. Control kit

| Type | Description |
|------|--|
| ES1 | Single acting P – A with spring return in neutral position |
| ES2 | Single acting P – B with spring return in neutral position |
| ES3 | Double acting P – A (B) with spring return in neutral position |

4. Coils

| Type | Description |
|-------|-----------------------|
| 12VDC | Nominal voltage 12VDC |
| 24VDC | Nominal voltage 24VDC |

5. Threads

| | |
|---|--------------------------|
| G | P, A, B – G1/2; T – G3/4 |
|---|--------------------------|